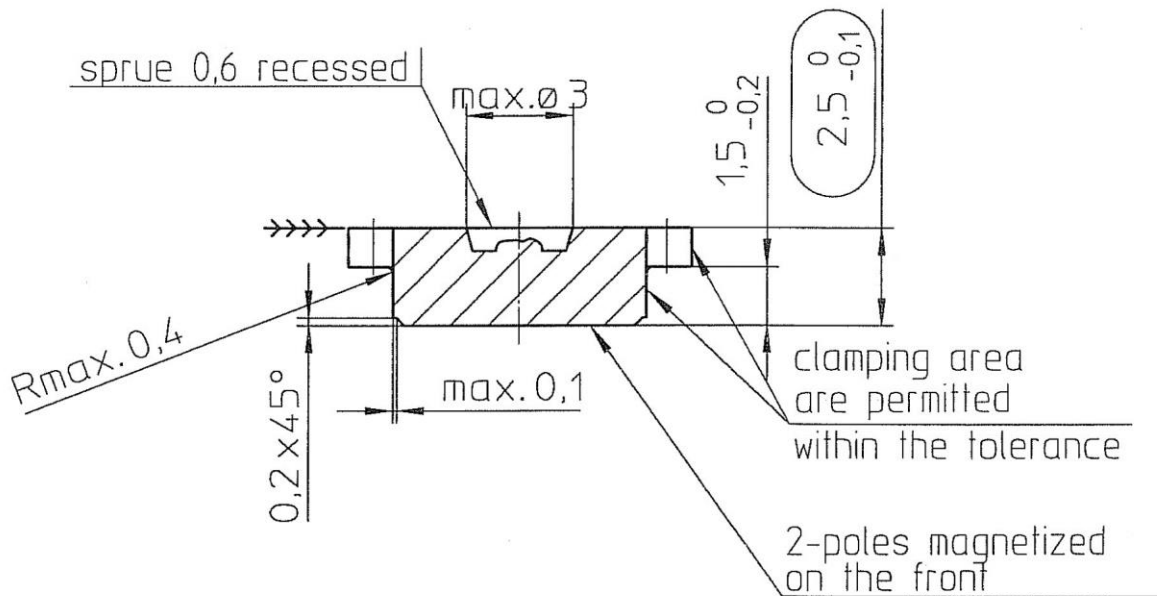
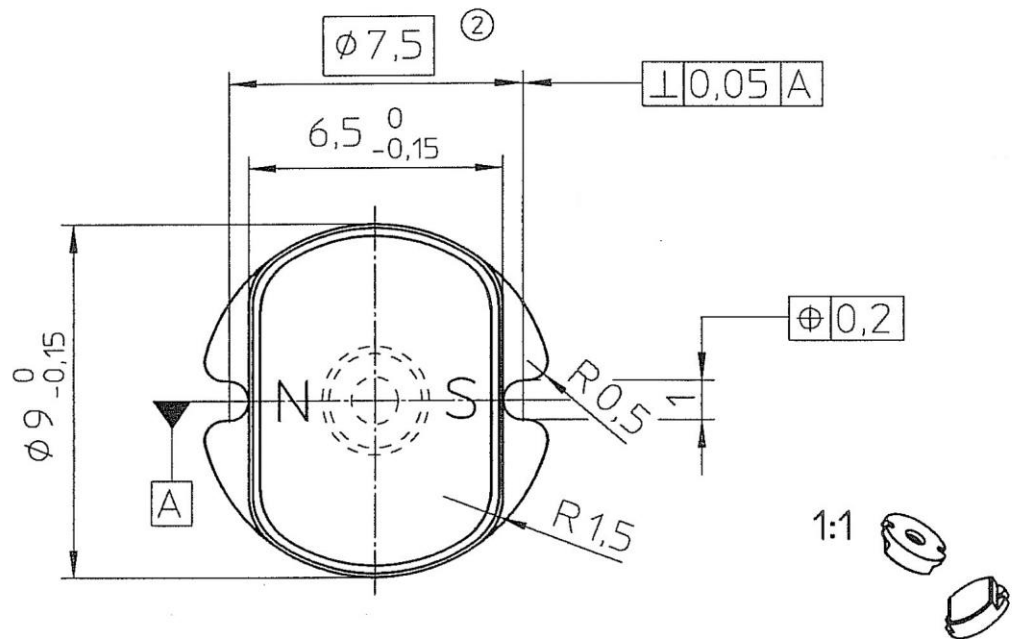
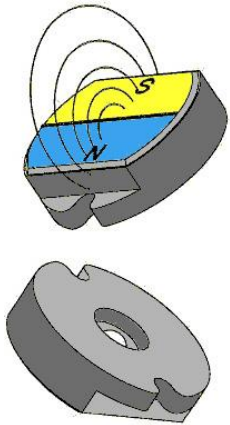


Datasheet

Type	AS-MA-MB-67043-2	Rev.006
Description	Magnet for angle sensor, Ø 9mm x 2,5mm ≥ 62mT with z = 2mm, Neofer 48/60p (NdFeB in plastic bonded), injection molding, 2-pole on the front, T _{max} = 150°C permanent, 160°C short term	



$\perp +0,1$
 Work piece edges according to DIN ISO 13715

$B_{min} \geq 62mT$ at RT
 axial measurement distance 2mm

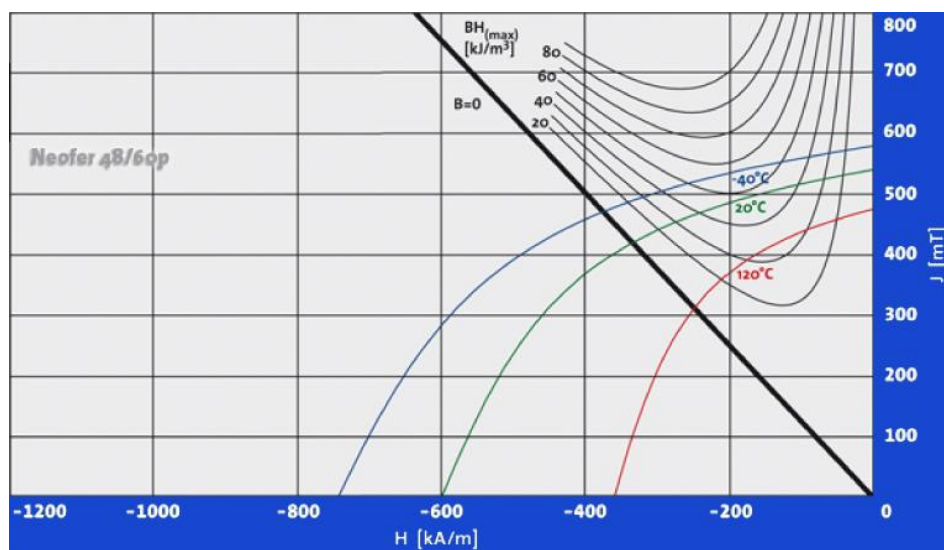
➡➡➡ tool separation

Datasheet

Type	AS-MA-MB-67043-2	Rev.006
Description	Magnet for Rotary Position Sensor, Ø 9mm x 2,5mm ≥ 62mT with z = 2mm, Neofer 48/60p (NdFeB in plastic bonded), injection molding, 2-pole on the front, T _{max} = 150°C permanent, 160°C short term	

Neofer 48/60p

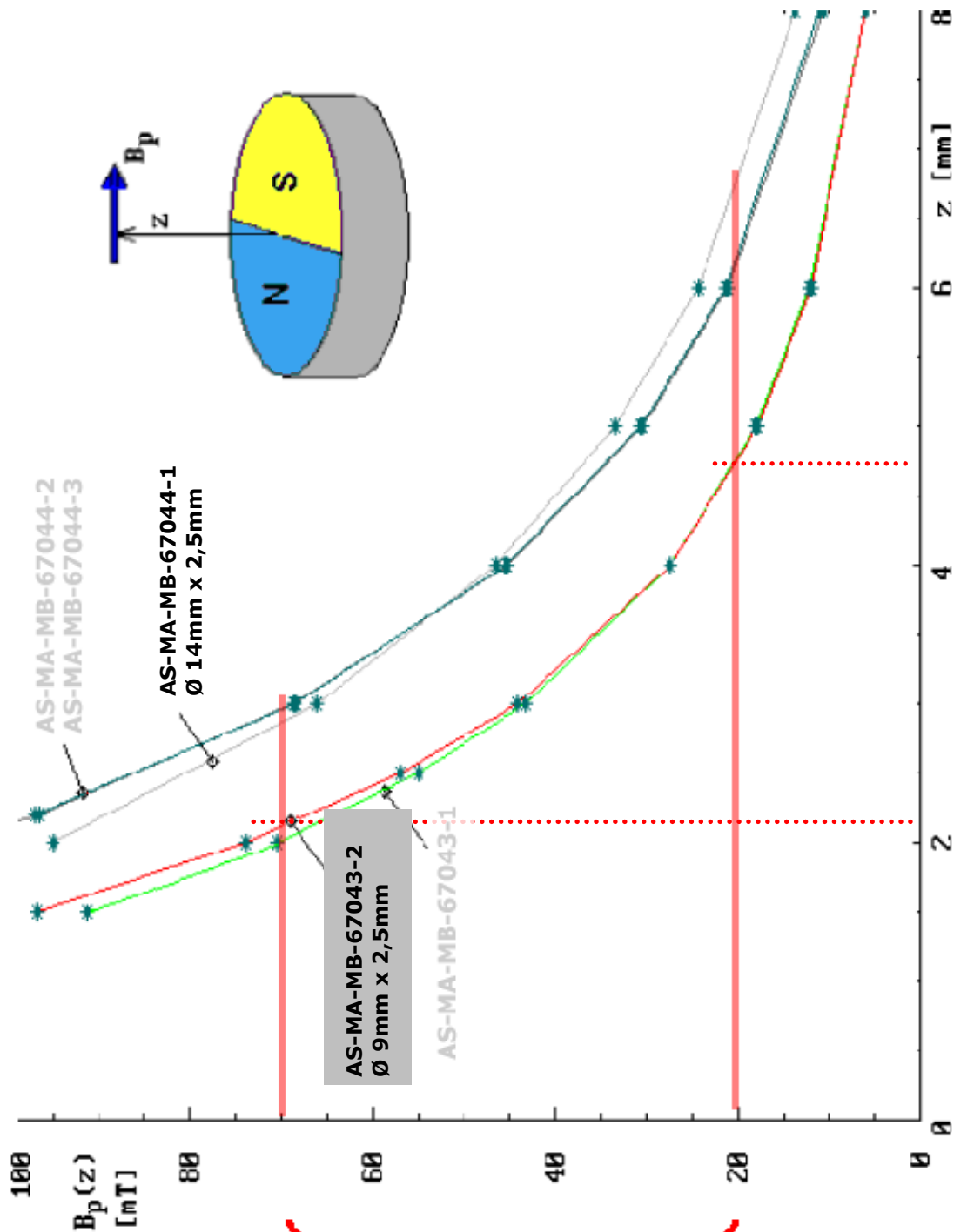
DIN IEC 60404-8-1 codes ¹	REFeB 48/60p
a = anisotropic / i = isotropic	i
Quality BH(max) [kJ/m ³] ⁶	48
Quality BH(max) [10 ⁶ G*Oe] ⁶	6,03
Remanence Br [mT] ⁶	540
Remanence Br [Gauß½] ⁶	5400
Coercive field strength HcB [kA/m] ⁶	330
Coercive field strength HcB [Oersted] ⁶	4147
Coercive field strength HcJ [kA/m] ⁶	600
Coercive field strength HcJ [Oersted] ⁶	4147
Tensile strength [N/mm ²] ⁷	55
Bending strength [N/mm ²] ⁷	70
Density [g/cm ³]	5,10
Water absorption [%] ⁷	0,05
Coefficient of thermal expansion [10 ⁻⁶ /K] ⁷	48
Spec. electrical resistance [Ohm m]	2.0x10 ⁻⁰⁴
Flammability UL 94	V-2
Approximate maximum temperature of use [i½C] ⁵	140
Temperature coefficient of remanence per K [%/K]	-0,12
Recommended magnetic field strength	>2500
Composition	NdFeB + PA11
Composition	



1: Combined of approximated minimum values of (B * H)max and HcJ according to DIN IEC 60404-8-1 • 2: PA = Polyamid/ Nylon, NBR = Nitrile Butadiene Rubber, EPH = Epoxydharz/Resin, PPS = Polyphenylensulfid • 4: Machinable by cutting • 5The maximum operating temperature for a magnet materials is dependent upon the specific application and magnet geometry. Do not hesitat to contact our Application Engineers for more information.
6Indicated values only with optimum dimensions: shortest edge > 8 mm, volume 1 – 200 cm³. • 7: t.b.d. = tob e defined • n.a. = not applicable

Datasheet

Type	AS-MA-MB-67043-2	Rev.006
Description	Ideal range of field strength for Melexis Triaxis Rotary Position Sensor 2SA-10, MLX91204, MLX90316, MLX90324 and MLX9036x (about 20...70mT on Chip-Surface)	



Ideal range of field strength for Melexis Triaxis Rotary Position Sensor
2SA-10, MLX91204, MLX90316, MLX90324 and MLX9036x
~ 20...70mT on Chip-Surface